

Create it



Surgic Pro2

NSK



Go beyond.

Surgic Pro2

The Surgic Pro surgical micromotor system has evolved into "Surgic Pro2". There are 3 progress points in operation, safety and wireless connectivity. Improving upon the performance of the Surgic Pro, the Surgic Pro2 offers adaptability in connecting to various external devices offers improved safety, efficiency and operator comfort during treatment.

3 Progress Points

OPERABILITY

SAFETY

WIRELESS
CONNECTIVITY

OPERABILITY

There are a range of upgrades to ensure greater comfort during implant treatment. These specifications put the needs of professionals first.

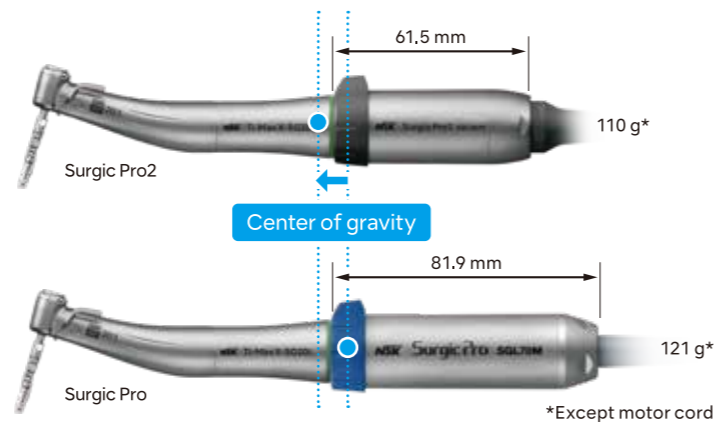


Improved operability A more compact new motor.

Significant size and weight reductions were achieved on the motor with NSK's proprietary micro-motor technology. Operability during treatment has been improved by moving the center of gravity closer to the head of the handpiece.

Length
24.9% DOWN

Weight
9.1% DOWN



Large Color LCD Touch Panel

Improved visibility with the large, back-lit, high-contrast LCD panel. The display consists of icons that represent functions and allow for smooth operation. The display can be adjusted to 10 brightness levels. Also, the sensitivity of the touch panel can be adjusted to reliably respond when surgical gloves and surgical barrier sheets are in use.



Improved High-Resolution Color LED

The use of high-resolution color LEDs improve the color rendering properties, making it easier to see color contrasts.



Surgic Pro2

Surgic Pro

Silent and Smooth Irrigation Pump

The irrigation pump provides consistent and steady flow operating quietly in the background. Irrigation tube set-up is simple and straight-forward and the pump fits in the design of Surgic Pro2.



WIRELESS CONNECTIVITY

Wireless connectivity with multiple devices allows for digital storage of data.



Linked with iPad

Installing a dedicated application and connecting an iPad to the control unit enables real-time display of detailed procedural data, such as the rotation speed and the torque range. Procedural data can also be saved. Data can also be displayed and saved when connecting with Osseo 100+. Traceability data management of procedural details allows implant treatment to be tailored to individual patients.



Linked with a wireless foot control

Bluetooth connectivity allows selection of the optimal position without worrying about cable length. The foot controller is 400g lighter than the previous model (hanger included) making it easy to reposition. The "Coolant Solution Flow Volume Button", "Program Button" and "Forward/Reverse Button" may be customized using the 3 installed buttons allowing the operator to choose their preferred mode of operation. The power supply uses 3 AAA batteries, which last about 6 months. A flashing light indicates when the batteries are running low.



Energy-Efficient Design
(3 AAA batteries/ 6 months)

A flashing light indicates when the batteries are low

Water-resistance and IPX8 compatibility

Linked with Osseointegration Monitoring Device, Osseo 100+

The Osseointegration Monitoring Device, "Osseo 100+" measures the implant stability quotient contactlessly and can be connected using Bluetooth®, permitting ISQ confirmation over a shared interface. You can share and manage the data of those measured ISQ scores on other terminals through Surgic Pro2.

iPad is trademarks of Apple Inc.



SAFETY

With Surgic Pro2, safer procedures are made possible with increased torque precision combined with the "Osseointegration Monitoring Device, Osseo 100+".

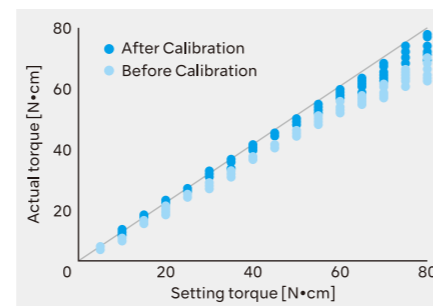


NSK's Drive for Accuracy Treatment through Accurate Torque Correction

The displayed torque value accuracy is dependent on the state of the handpiece bearings and gear abrasion. Surgic Pro2 torque calibration allows for this to be taken into account to display more accurate values.

NSK's 'Advanced Handpiece Calibration' (AHC) function corrects the differences in actual handpiece condition using automatic calibration with no load current and load-bearing calibration to achieve accurate torque values for implant surgery.

Minimizing the discrepancy between the set torque value and the actual output helps improve treatment outcomes.



Surgic Pro2 Complete Set



Complete Set with X-SG20L

Optic	MODEL	ORDER CODE
●	Surgic Pro2 OPT	Y1500763

Contents

- Control Unit • SGL80M Optic Micromotor
- X-SG20L Optic Handpiece (20:1 Reduction)
- FOOT CONTROL WIRELESS
- Irrigation tube (Pack of 3) and other accessories

Specifications

- [Control Unit with AHC]
- Power Supply : AC100-240V 50/60 Hz
 - Max. Pump Output : 75 mL/min
 - Programs : 8 Programs / Implant Systems
 - Dimensions : W 245 × D 235 × H 90 mm
 - LCD Panel : 10 brightness levels

- [Micromotor]
- Torque : 5-80 Ncm
 - Motor Speed : 200-40,000 min⁻¹
 - Light Power : over 32,000 LUX (Optic Micromotor)

Complete Set with SG20

Optic	MODEL	ORDER CODE
—	Surgic Pro2 NON-OPT	Y1500764

Contents

- Control Unit • SG80M Non-Optic Micromotor
- SG20 Handpiece (20:1 Reduction)
- FOOT CONTROL WIRELESS
- Irrigation tube (Pack of 3) and other accessories

[FOOT CONTROL WIRELESS]

- Foot Control Functions : Coolant Solution Flow Volume Button, PRG(Program) Button, Forward/Reverse Button, Speed Control Pedal

Option



MODEL	ORDER CODE
Osseo 100+	Y1004176

- Implant Stability Measurement System
- Manufacturer: Integration Diagnostics Sweden AB

Implant Handpieces



Gear Ratio	Optic	MODEL	ORDER CODE
20:1 Reduction	●	X-SG20L	C1003

- Max. Torque : 80 Ncm • Max. Speed : 2,000 min⁻¹
- Titanium Body with Scratch Resistant DURADRIP
- Cellular Glass Optics • Double Sealing System • Push Button Chuck
- External and internal cooling (Kirschner and Meyer)



Gear Ratio	Optic	MODEL	ORDER CODE
20:1 Reduction	—	SG20	C1010

- Max. Torque : 80 Ncm • Max. Speed : 2,000 min⁻¹
- Stainless Steel Body • Double Sealing System • Push Button Chuck
- External and internal cooling (Kirschner and Meyer)

Contra-Angles



Gear Ratio	Optic	MODEL	ORDER CODE
1:3 Increasing	●	X-SG93L	C1004
1:3 Increasing	—	X-SG93	C1007

- Max. Speed : 120,000 min⁻¹
- Titanium Body with Scratch Resistant DURAGRIP
- Cellular Glass Optics (X-SG93L) • Clean Head System
- Push Button Chuck • External cooling • For FG burs (ø1.6)



Gear Ratio	Optic	MODEL	ORDER CODE
1:1 Direct Drive	●	X-SG25L	C1011

- Max. Speed : 40,000 min⁻¹
- Titanium Body with Scratch Resistant DURAGRIP
- Cellular Glass Optics • Clean Head System
- Push Button Chuck • External cooling • For CA burs (ø2.35)



Gear Ratio	Optic	MODEL	ORDER CODE
1:1 Direct Drive	●	X-SG65L	H1009
1:1 Direct Drive	—	X-SG65	H1038

- Max. Speed : 40,000 min⁻¹
- Titanium Body with Scratch Resistant DURAGRIP
- Cellular Glass Optics (X-SG65L) • Clean Head System
- External cooling • For HP burs (ø2.35) • For CA burs (ø2.35)*
- *Need to insert the supplied bur stopper

 Washable in the thermodisinfectant

 Autoclavable